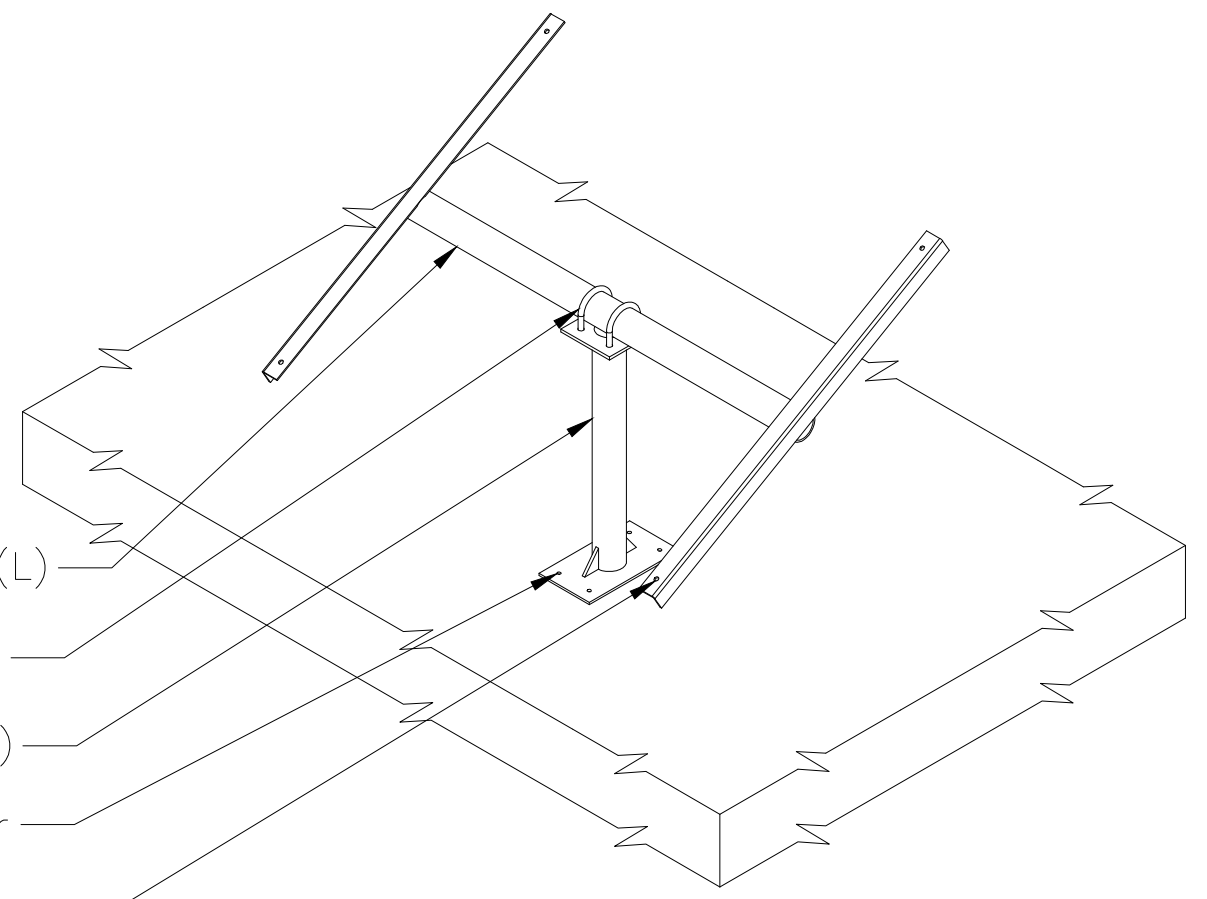
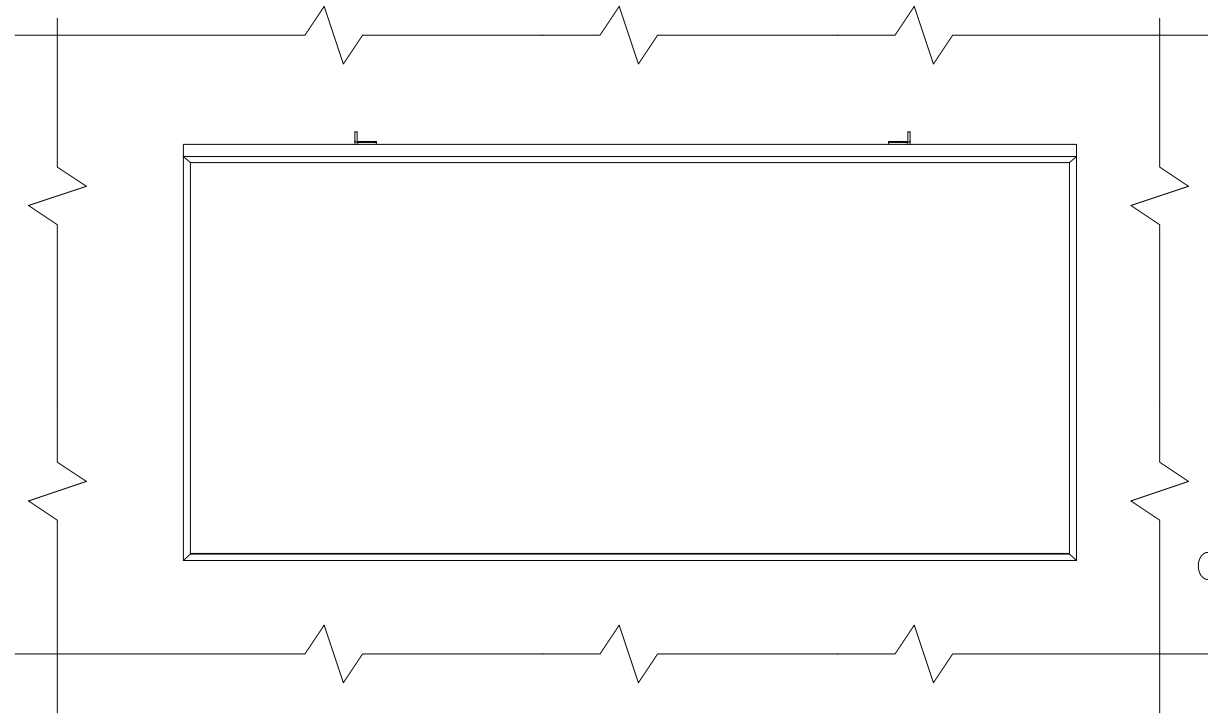
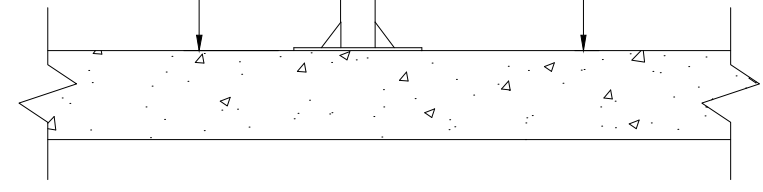
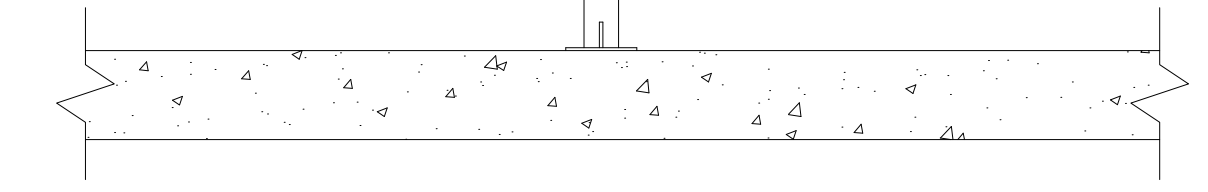
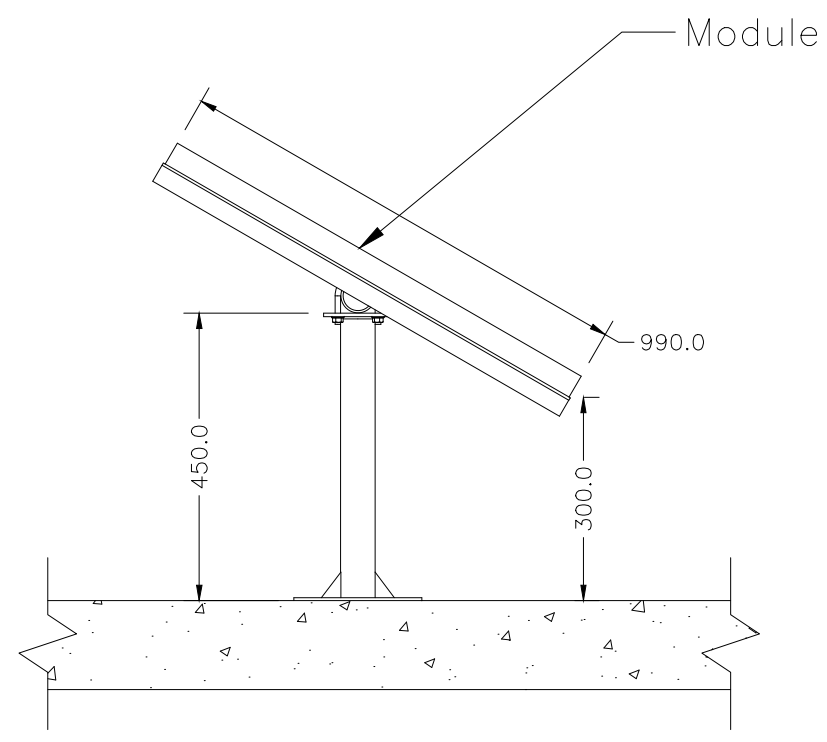
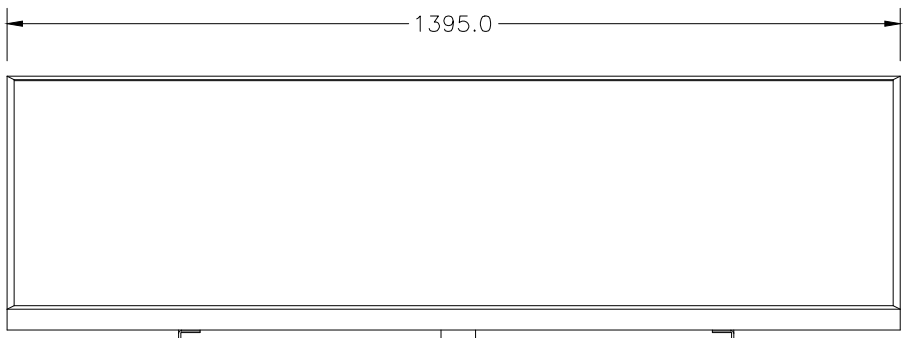


A3
DO NOT SCALE



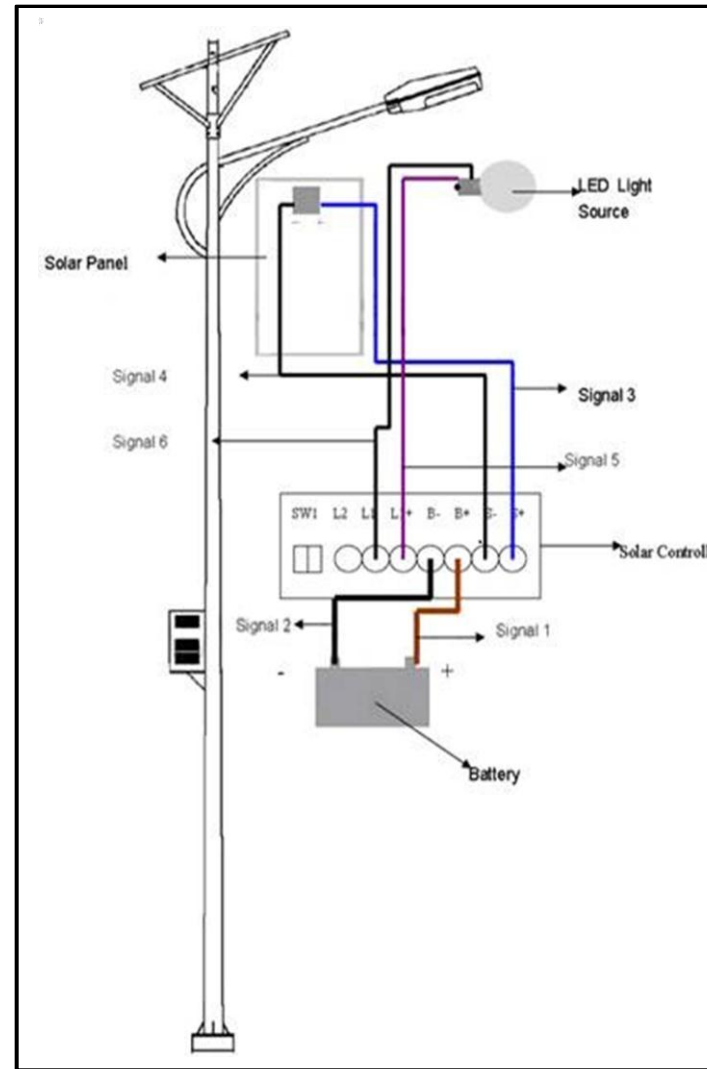
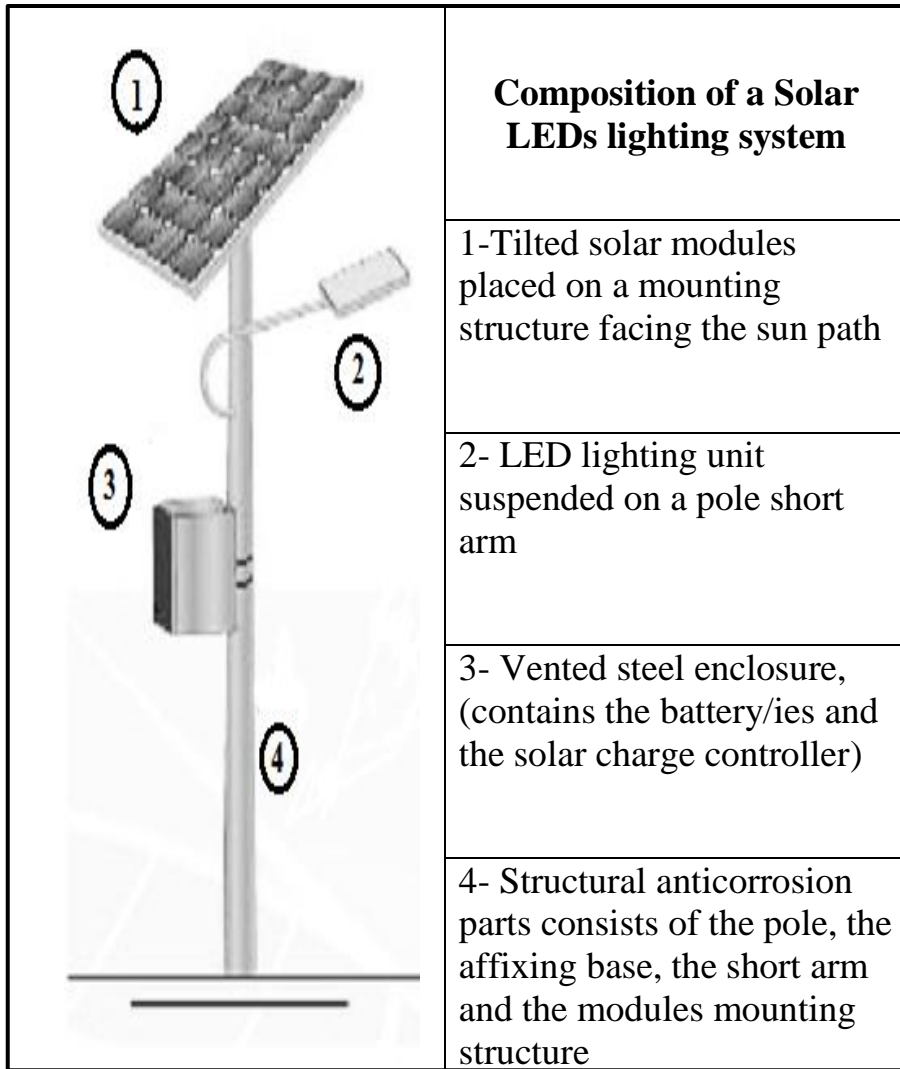
- Cross arm ISNB-50(L)
- 2xM8 U Bolt
- Pedestal ISNB-50(L)
- Anchor Fastener
- ISA 35X35X3

FOR APPROVAL

PROJECT					
TITLE	GROUND MOUNT-SINGLE				
DWG.NO.	OGH	GM	SINGLE		
REV.	DATE	DRN.	CHK.	SCALE	SHEET 1 OF 1
RA1	.	MVK	VRR	-	

NOTE
1. ALL DIMENSIONS ARE IN MM

Drawing of Solar Street Light



Installation of Solar Panel for Household Standalone System

